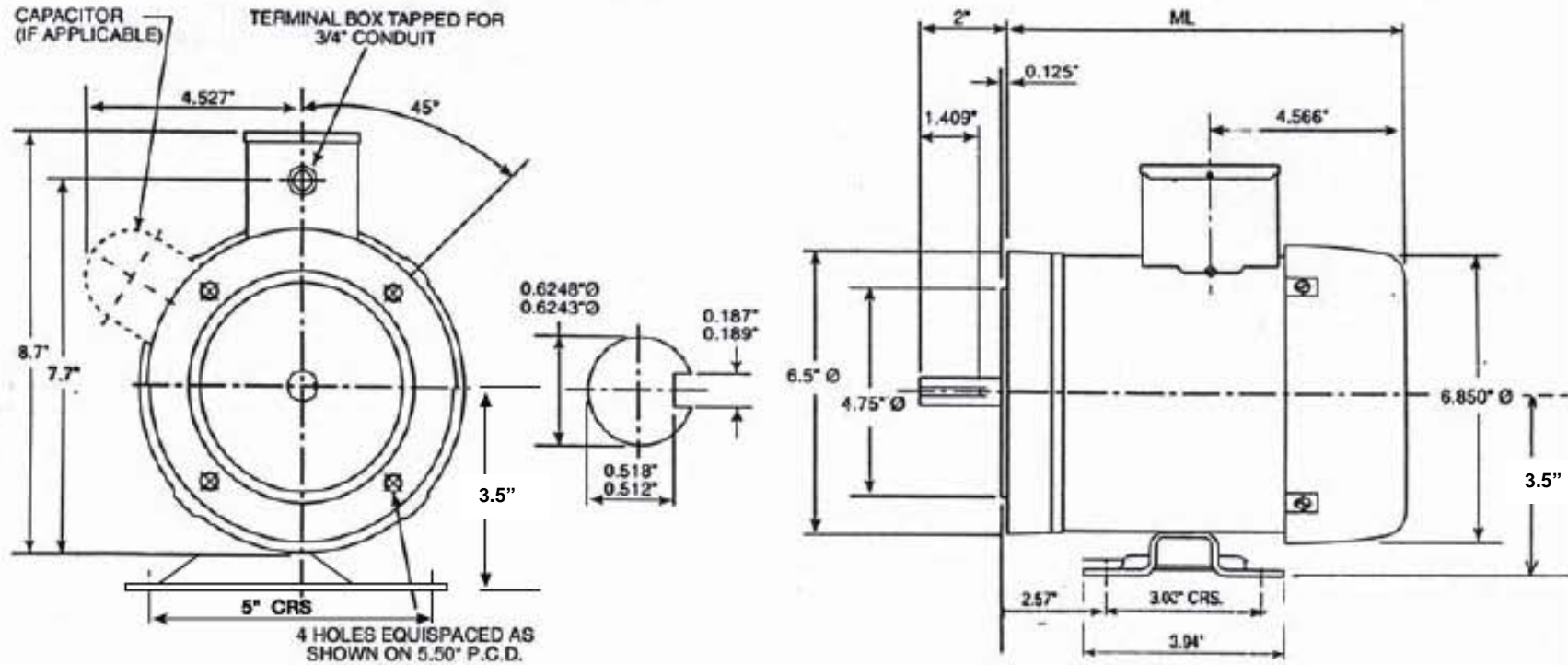


PRINCIPAL DIMENSIONS (Inches)



T.E.F.C. MOTORS (SHOWN)

FRAME	52	54	56	58	59
ML	9.2'	9.8'	10.4'	11.0'	11.6'

DRIP-PROOF MOTORS

FRAME	52	54	56	58	59
ML	7.9	8.5	9.1	9.7	10.3