

# *iDrive* EDX SERIES



## General Purpose AC Variable Speed Drives

- 1Ø, 110V / 50~60Hz, 0.2~0.75kW (1/4~1HP)\***
- 1Ø, 230V / 50~60Hz, 0.2~2.2kW (1/4~3HP)**
- 3Ø, 230V / 50~60Hz, 0.2~2.2kW (1/4~3HP)\***
- 3Ø, 400V / 50~60Hz, 0.75~2.2kW (1~3HP)**



All models

- IP20 and IP65/NEMA4 models
- CE, UL and cUL approvals
- Integrated EMC filter
- Basic & Advanced set-up parameters
- DIN rail mounting (IP20 models only)
- V/F and sensorless vector operating modes
- 8 preset frequencies
- PID control, with 'sleep' operation
- DC braking
- Thermostatic cooling fan
- PNP or NPN operation
- Remote keypad option
- PC and PDA set-up / test software
- Multi-function & RS232 and 485 option cards

IP65/NEMA4 models

- Fascia mounted speed setting potentiometer
- Fascia mounted 'FWD-OFF-REV' selector switch (both items can be disconnected)
- Fascia mounted mains switch / isolator



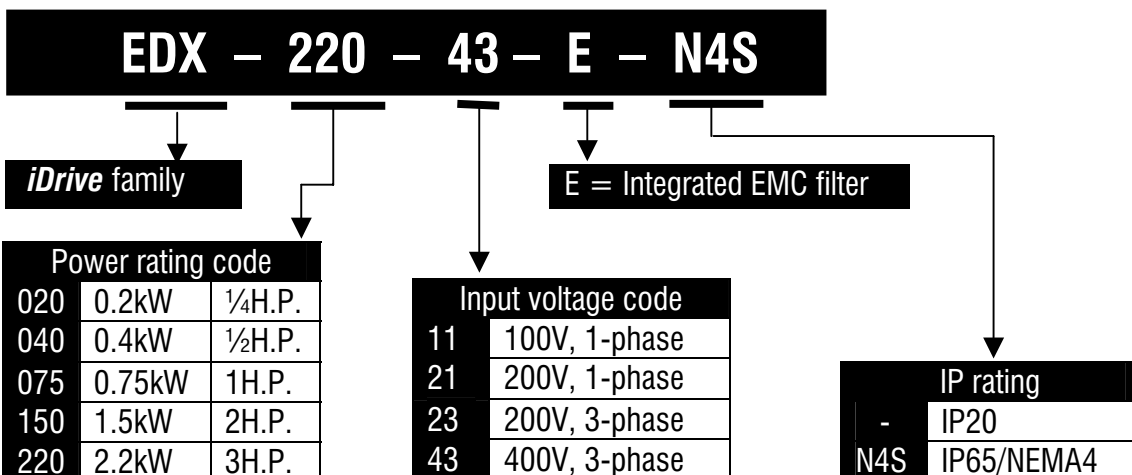
**IP20**  
model shown  
EDX-040-21-E



**IP65/NEMA4**  
model shown  
EDX-040-21-E-N4S

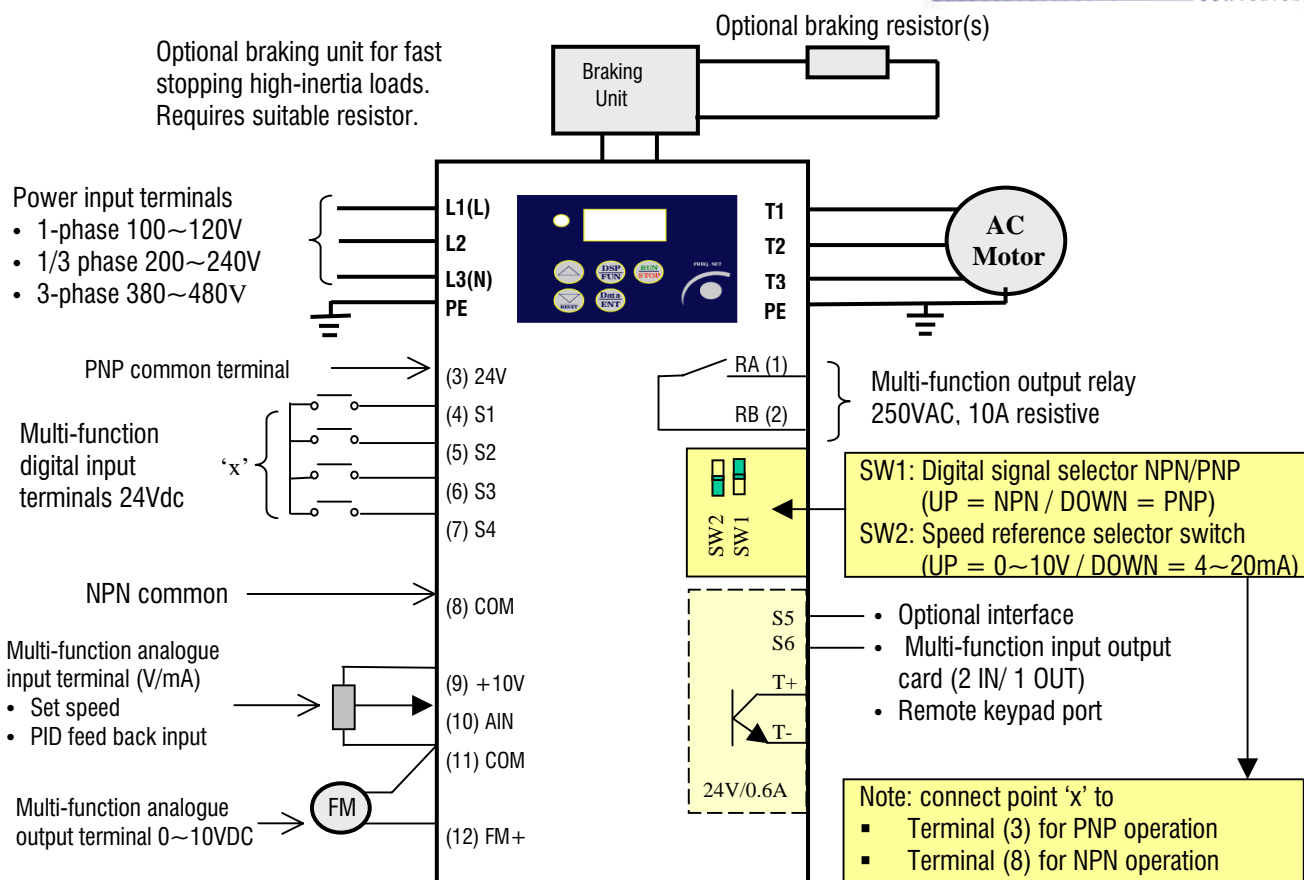
## Ordering Codes

Example



\*Special order models

## Power & Control connections



## Specifications & Dimensions

### All Models: -

- Overload (A) = 150% for 60s
- Maximum operating temperature IP20 = 50°C, IP65/NEMA4 = 40°C
- Maximum output frequency = 200Hz
- Carrier frequency = 4~16kHz (Derating applies above 10kHz)
- Safety Class = UL508C

Part Number EDX...	1-ph input 200-240V 50/60Hz					3-ph input 380~480V 50/60Hz		
	020-21	040-21	075-21	150-21	220-21	075-43	150-43	220-43
Motor rating (kW)	0.18/0.25	0.37/0.55	0.75/1.1	1.5	2.2	0.75/1.1	1.5	2.2
Motor rating (H.P)	0.25	0.5	1	2	3	1	2	3
Rated output current (A)	1.7	3.1	4.2	7.5	10.5	2.3	3.8	5.2
Frame size	1	1	1	2	2	2	2	2

Frame size IP20	H(mm)	H(inches)	W(mm)	W(inches)	D(mm)	D(inches)
1	132	5.2	77	3.03	130.5	5.13
2	132	5.2	118	4.65	148	5.83

Frame size IP65 / NEMA4	H(mm)	H(inches)	W(mm)	W(inches)	D(mm)	D(inches)
1	215.6	8.49	140.6	5.54	183	7.2
2	295	11.61	232	9.13	211.7	8.33

For more information please contact TRANSWAVE Converters On 0844 7700272