

Jaguar VXR Series

Mechanical Handling / General Purpose AC Variable Speed Drives

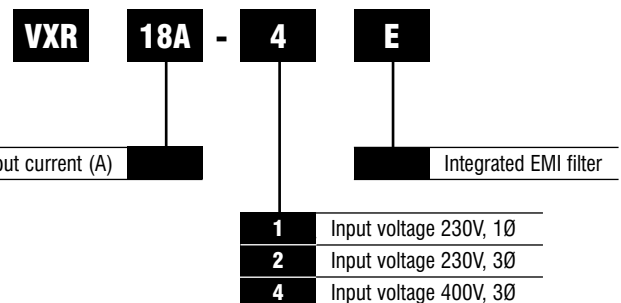
- 1Ø, 230V/50~60Hz, 0.4~2.2kW (½~3HP)
- 3Ø, 230V/50~60Hz, 0.4~15kW (½~20HP)*
- 3Ø, 400V/50~60Hz, 0.4~15kW (½~20HP)



- IP20 side-by-side mounting
- Optional integrated EMI filtered models
- Fast response to dynamic load changes - 64MHz CPU
- RoHS, CE, UL/cUL compliant
- V/F or Dynamic Torque Vector control
- >300% starting torque between 1-3Hz
- Improved open-loop low-speed stability
- 'Hit-and-Stop' control with holding torque
- Mechanical brake control output – torque generated
- PID with 'Dancer' control
- PTC thermistor input
- Input and Output phase-loss protection
- Loss-of-command signal detection
- Thermostatically operated long-life cooling fans (designed to operate for 10 years at 40°C)
- Life time / service due alarm output
- RS485 (RJ-45 IN/OUT) / Profibus / DeviceNet option cards
- Optional multi-function back-lit keypad with parameter COPY mode
- Encoder feedback (close-loop) and shaft-synchronizing options
- Synchronous (Permanent Magnet) motor options***
- DC reactor connections

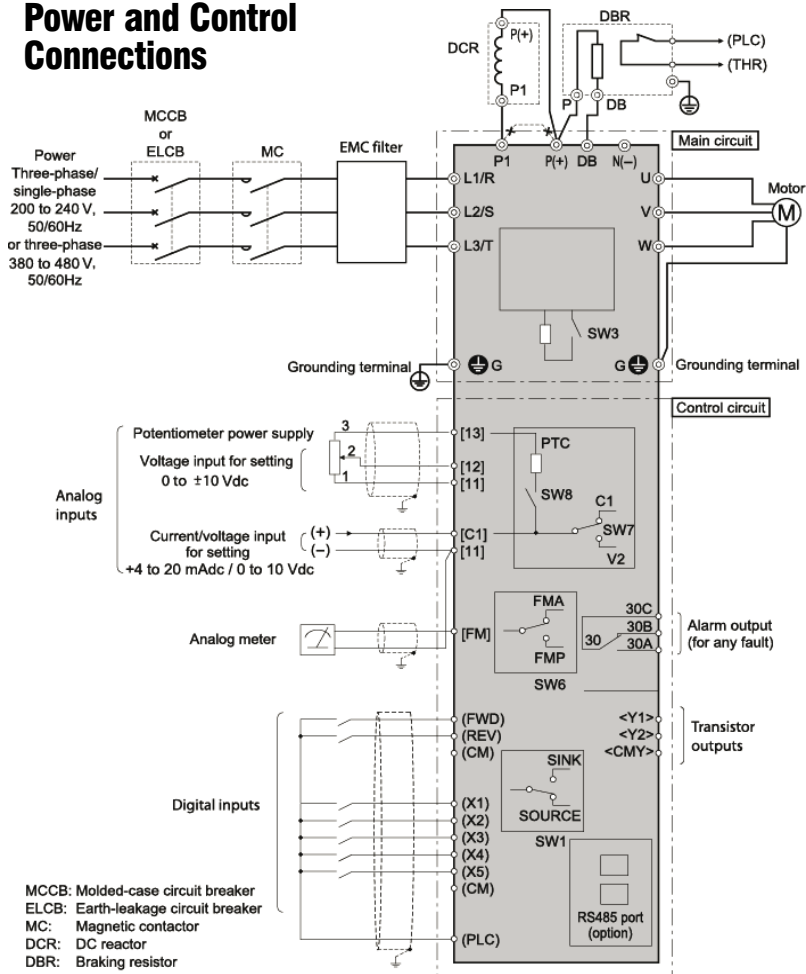


Options and ordering codes



* Special order
*** Available soon

Power and Control Connections



Specifications and Dimensions

All Models:

- z Overload (A) = 150% for 60s, 200% for 0.5s
- z Maximum operating temperature = 50°C
- z Maximum output frequency = 400Hz
- z Carrier frequency = 0.75~15kHz

Frame	H(mm)	H(ins)	W(mm)	W(ins)
1	120	4.72	80	3.15
2	130	5.12	110	4.33
3	180	7.09	140	5.51
4	220	8.66	180	7.09
5	260	10.24	220	8.66

3-phase input 380-480 +10% -15% 50/60Hz ±5%								
Part Number VXR...	1A5-4	1A5-4E	2A5-4	2A5-4E	3A7-4	3A7-4E	5A5-4	5A5-4E
Motor rating (kW)	0.37/0.55	0.37/0.55	0.75/1.1	0.75/1.1	1.5	1.5	2.2	2.2
Motor rating (H.P)	0.5	0.5	1	1	2	2	3	3
Rated output current (A)	1.5	1.5	2.5	2.5	3.7	3.7	5.5	5.5
Frame size	2	2	2	2	2	3	3	3
Depth (mm)	126	169	150	193	150	194	150	194
Depth (inches)	4.96	6.65	5.91	7.60	5.91	7.64	5.91	7.64

1-phase input 200-240V ±10% 50/60Hz ±5%								
Part Number VXR...	3A-1	3A-1E	5A-1	5A-1E	8A-1	8A-1E	11A-1	11A-1E
Motor rating (kW)	0.37/0.55	0.37/0.55	0.75/1.1	0.75/1.1	1.5	1.5	2.2	2.2
Motor rating (H.P)	0.5	0.5	1	1	2	2	3	3
Rated output current (A)	3 (2.5)	3 (2.5)	5 (4.2)	5 (4.2)	8 (7)	8(7)	11 (10)	11 (10)
Frame size	1	1	1	2	2	3	3	3
Depth (mm)	127	127	152	150	160	194	151	194
Depth (inches)	4.99	4.99	5.98	5.91	6.30	7.64	5.94	7.64

3-phase input 380-480V +10% -15% 50/60Hz ±5%										
Part Number VXR...	9A-4	9A-4E	13A-4	13A-4E	18A-4	18A-4E	24A-4	24A-4E	30A-4	30A-4E
Motor rating (kW)	4	4	5.5	5.5	7.5	7.5	11	11	15	15
Motor rating (H.P)	5	5	7.5	7.5	10	10	15	15	20	20
Rated output current (A)	9	9	13	13	18	18	24	24	30	30
Frame size	3	3	4	4	4	4	5	5	5	5
Depth (mm)	151	194	158	158**	158	158**	195	195**	195	195**
Depth (inches)	5.94	7.64	6.22	6.22	6.22	6.22	7.68	7.68	7.68	7.68